



Cold Cathode Fluorescent Lamp

### Features

Powered by DynamicLux™ Technology

**Dimming:** Supports market available SCR dimmers that support incandescent bulbs (e.g. Leviton, Lutron)

**Long Lasting:** 25,000 hours

**On/Off:** Unlimited switching, no negative effects on lifetime

**Sensors & Timers:** Will not reduce lifetime

**Energy Saving:** Up to 80% savings over standard incandescent bulbs

**Warranty:** 3 year limited warranty

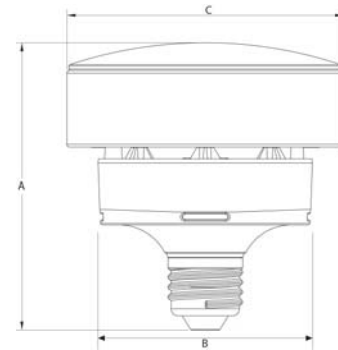
### Specifications

GP318D/120V	
Part Number	FH07DTBT0601
Product Series	Reflector
Voltage	AC 110-120V 60Hz
Watt	18W = 75W Equivalent
Lumen Output	800 lm
Lifetime	25,000 hr
Luminous Efficacy	45 lm/W
Color Temperature	Warm White (2700K) <sup>1</sup>
Lamp Base	Medium Screw (E26)
Color Rendering Index	≥ 80
Dimming	100% to 10% <sup>2</sup>

Dry locations only

<sup>1</sup> Also available in other color temperatures with different performance

<sup>2</sup> Dimming range is measured in lux level, may perform differently with different dimmers



### Dimensions

GP318D/120V	
MOL (a)	4.92 in
Diameter (b)	Ø 2.95 in
Max Width (c)	Ø 4.72 in
Weight	10.90 oz
Standard Pack	32 pcs/ctn

### DynamicLux™ Technology

Proprietary Cold Cathode Fluorescent Lamp (CCFL) technology powered by DynamicLux™ that enables CCFL with high wattage for general lighting applications. It features smooth dimming with unlimited and intensive on/off switching. It also provides longer lifetime and more energy saving when integrated with sensors.



NuLite Enterprises, Inc.

T (201) 507-1912

F (201) 977-8044

NuLite-CCFL.com

info@NuLite-CCFL.com

30 Park Avenue

Lyndhurst, NJ 07071